



APPLICATIONS



WARRANTY



REFERENCE

EAN 3308815060927
NEUTRALSTD

Sanineutral



Easy installation: supplied with the granules.
Suitable for wall-mounted and floor-standing boilers.

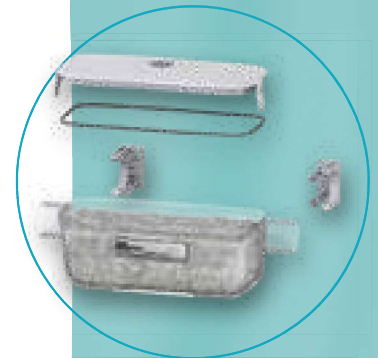
Wall or floor fixing possible.

Easy maintenance:
Removable cover without
having to disconnect the hoses.

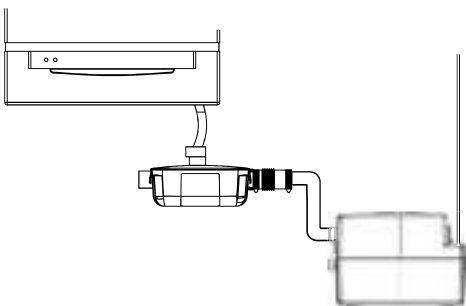


Transparency: allows easy inspection
of the granule status.

Protects piping from acid attacks.



INSTALLATION DIAGRAM



TECHNICAL FEATURES

Number of available inlets	2
Top inlet diameter (fitting included)	40/32/28 mm
Side inlet diameter (fitting included)	40 mm
pH min	2.5
Max. power of the associated gas boiler	50 kW
Max. power of the associated oil boiler	35 kW
Neutralisation granules	1.3 kg

NEUTRALISATION GRANULES



1.2 kg refill bottle of neutralisation granules optional

Ref: SACHGRANULEEUR

The granules neutralise the acidity of the condensates from boilers.

Replace about once a year.

Reference: EAN 3308815011134

PACKING LIST

Sanineutral with inlet and outlet connections

Fastening yokes

Floor fixing system

