

APPLICATIONS



Individual



Commercial

DISCHARGE

22 to 39 m



WARRANTY



REFERENCES

See table right page



# Sanicubic 1 GR



It collects all waste water from toilets, bathrooms, kitchens or laundry rooms.

Easy installation and accessibility.

Compact dimensions.

7 inlets. Grinding wheel.

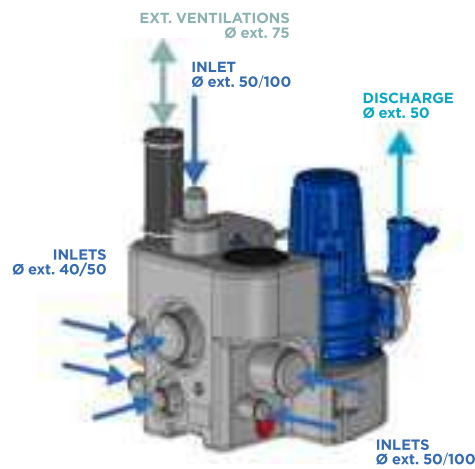
5 single or three-phase pump versions.

Connections and non-return valve integrated.



Pro X K3 Grinder

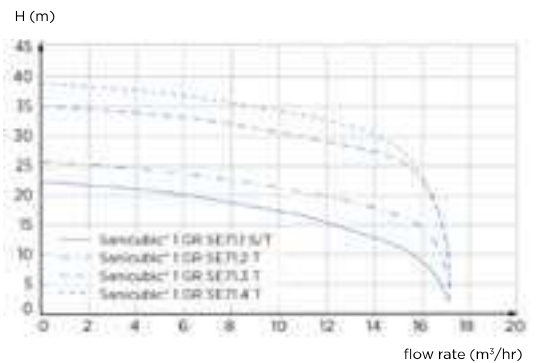
SEMI-TRANSPARENT VIEW



PERFORMANCE

TMH max.	39 m
Max. flow rate	17 m <sup>3</sup> /h

PUMP PERFORMANCE CURVE



## APPLICATIONS



Individual



Commercial

## DISCHARGE

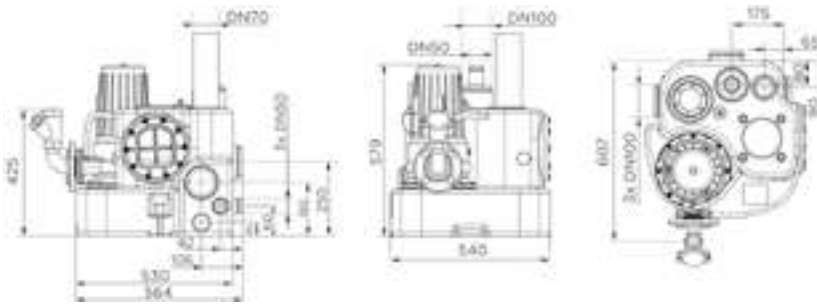
22 to 39 m



Control box ZPS - single pump version

Pneumatically controlled remote control box including an audible and visual alarm.

## DIMENSIONS



	SANICUBIC 1 GR SE71.1 S	SANICUBIC 1 GR SE71.1 T	SANICUBIC 1 GR SE71.2 T	SANICUBIC 1 GR SE71.3 T	SANICUBIC 1 GR SE71.4 T
<b>Type of control box</b>	ZPS 1 case	ZPS 1 case	ZPS 1 case	ZPS 1 case	ZPS 1 case
<b>MATERIALS</b>					
<b>Tank</b>	PE LD	PE LD	PE LD	PE LD	PE LD
<b>Pump housing</b>	GG-20	GG-20	GG-20	GG-20	GG-20
<b>Motor housing</b>	GG-20	GG-20	GG-20	GG-20	GG-20
<b>Impeller</b>	GG-20	GG-20	GG-20	GG-20	GG-20
<b>ELECTRICALS FEATURES</b>					
<b>Voltage (V)</b>	230	400	400	400	400
<b>Frequency (Hz)</b>	50-60	50-60	50-60	50-60	50-60
<b>Power consumption P1 (P=power) (W)</b>	2200	2100	2100	3900	3900
<b>Power output P2 (P=power) (W)</b>	1700	1700	1700	3200	3200
<b>Mode of operation</b>	S3 25%	S3 25%	S3 25%	S3 25%	S3 25%
<b>IP Rating</b>	IP68	IP68	IP68	IP68	IP68
<b>HYDRAULICS</b>					
<b>Total manometric head (m)</b>	22	25	25	35	39
<b>Max. flow rate (m<sup>3</sup>/h)</b>	17	17	17	17	17
<b>Inlet diameter DN</b>	50, 100	50, 100	50, 100	50, 100	50, 100
<b>Discharge diameter DN</b>	50	50	50	50	50
<b>Ext.ventilation diameter (mm)</b>	75	75	75	75	75
<b>Total volume (L)</b>	55	55	55	55	55
<b>ON Level /OFF level (mm)</b>	140-250/30	140-250/30	140-250/30	140-250/30	140-250/30
<b>Alarm level (mm)</b>	180-290	180-290	180-290	180-290	180-290
<b>Max. temperature of the pumped liquid (5 min)</b>	55°C	55°C	55°C	55°C	55°C
<b>Type of wheel</b>	Grinder	Grinder	Grinder	Grinder	Grinder
<b>Type of activation</b>	Pneumatic	Pneumatic	Pneumatic	Pneumatic	Pneumatic
<b>IDENTIFICATION AND LOGISTICS</b>					
<b>Gross weight (kg)</b>	64	64	64	68	68
<b>EAN code</b>	3308815079110	3308815079127	3308815079134	3308815079141	3308815079158
<b>Factory code</b>	CUBIC1GRSE71-1S	CUBIC1GRSE71-1T	CUBIC1GRSE71-2T	CUBIC1GRSE71-3T	CUBIC1GRSE71-4T

(DN=nominal diameter)