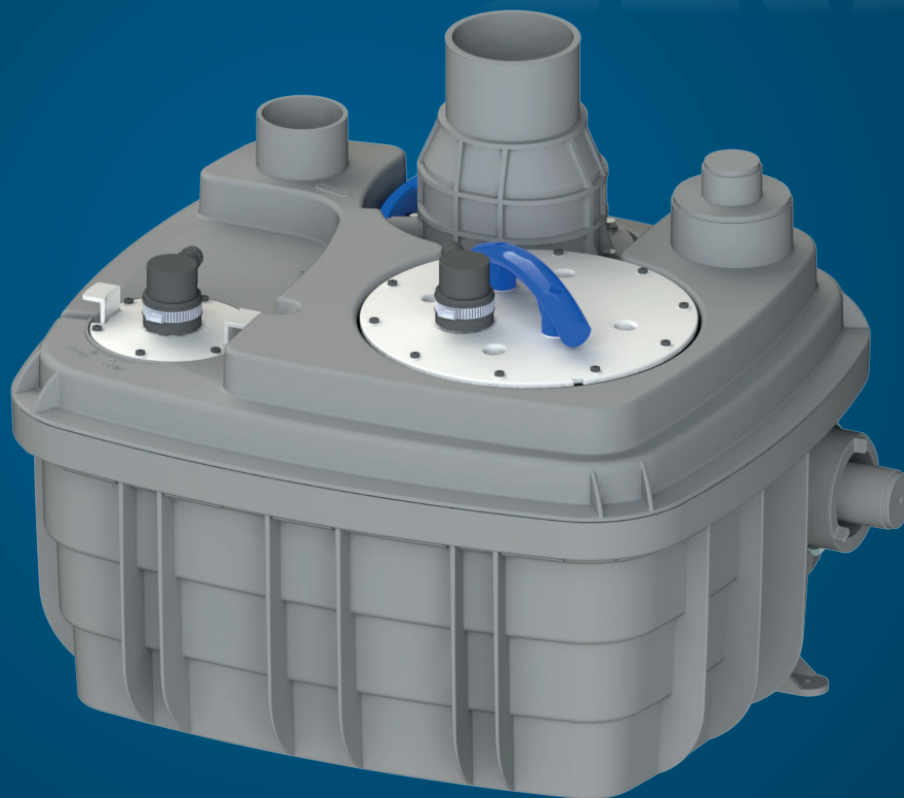


CUBIC 1 VX

172

11.18

SFA



SANICUBIC® 1 VX

FR NOTICE D'INSTALLATION

UK INSTALLATION INSTRUCTIONS

DE INSTALLATIONSHINWEISE

IT STRUZIONI PER L'INSTALLAZIONE

ES MANUAL DE INSTALACIÓN

PT MANUAL DE INSTALAÇÃO

NL INSTALLATIE VOORSCHRIFTEN

SE INSTALLATIONSANVISNING

DK INSTALLATIONSVEJLEDNING

NO INSTALLASJONSANVISING

FI ASENNUSOHJEET

HU FELSZERELÉSI ÉS KEZELÉSI ÚTMUTATÓ

PL INSTRUKCJA INSTALACJI

RU ИНСТРУКЦИЯ ПО МОНТАЖУ И ЭКСПЛУАТАЦИИ

RO MANUAL DE INSTALARE

CZ NÁVOD K INSTALACI A POUŽÍVÁNÍ

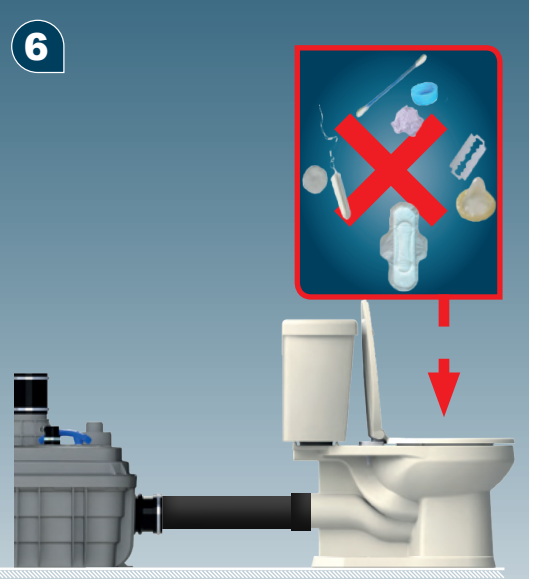
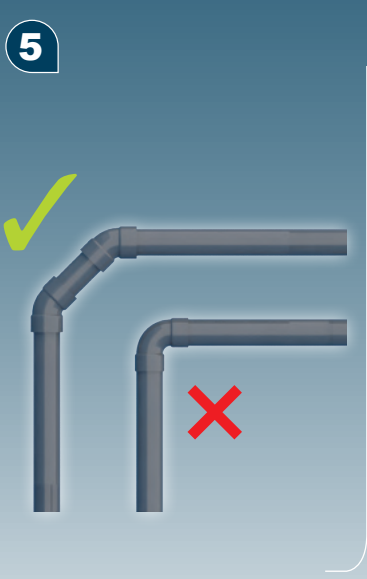
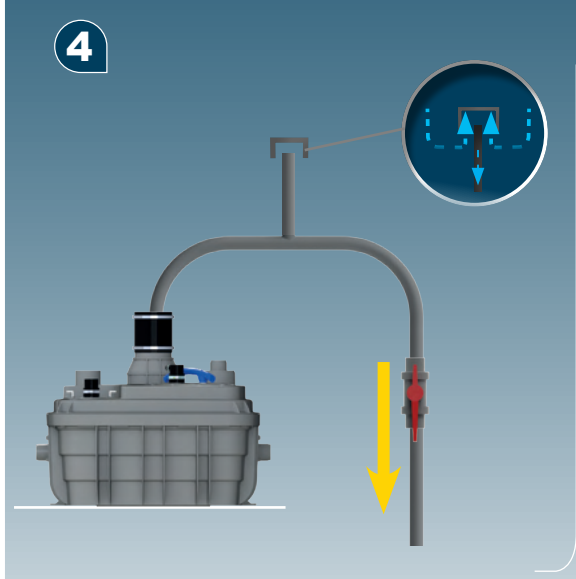
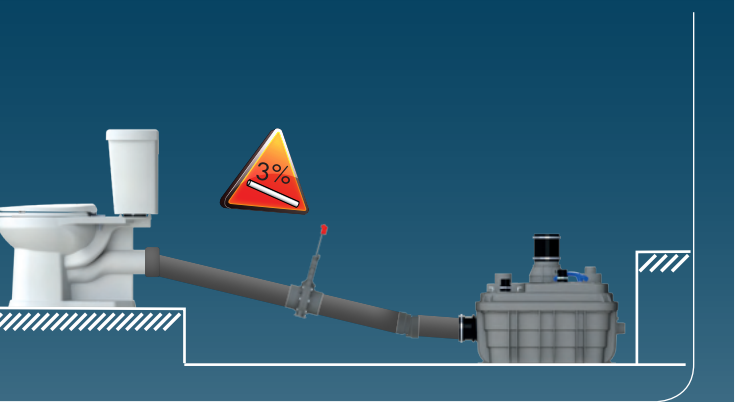
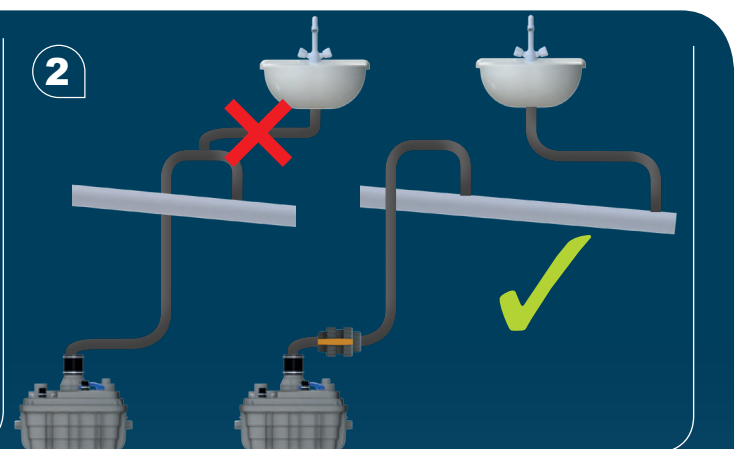
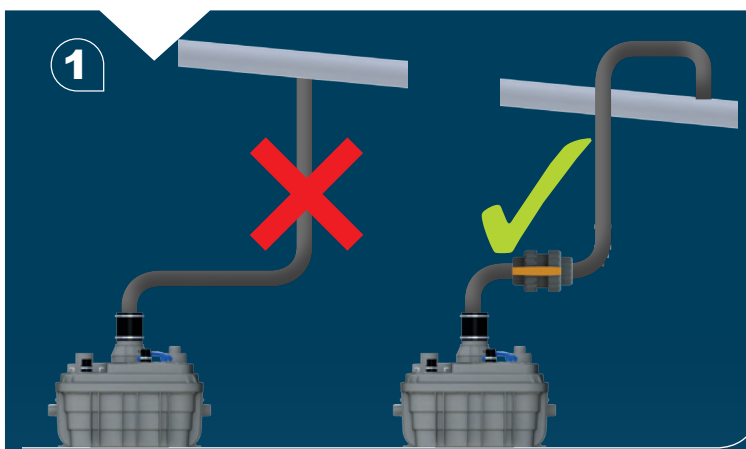
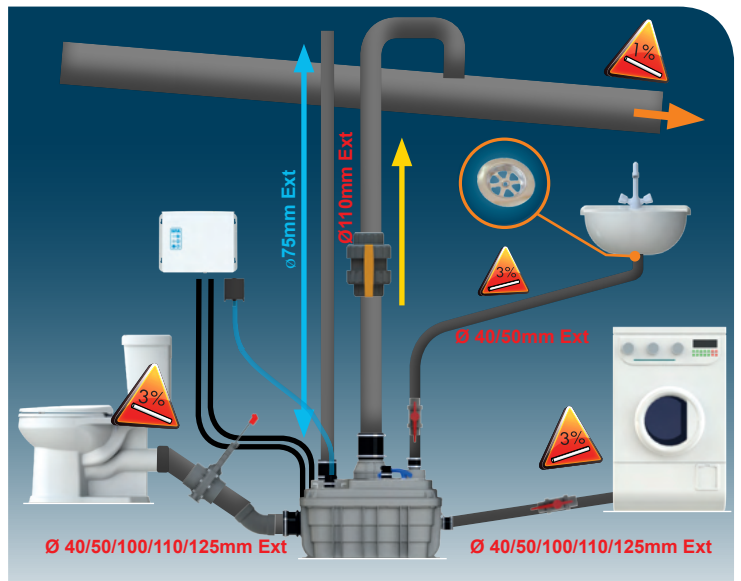
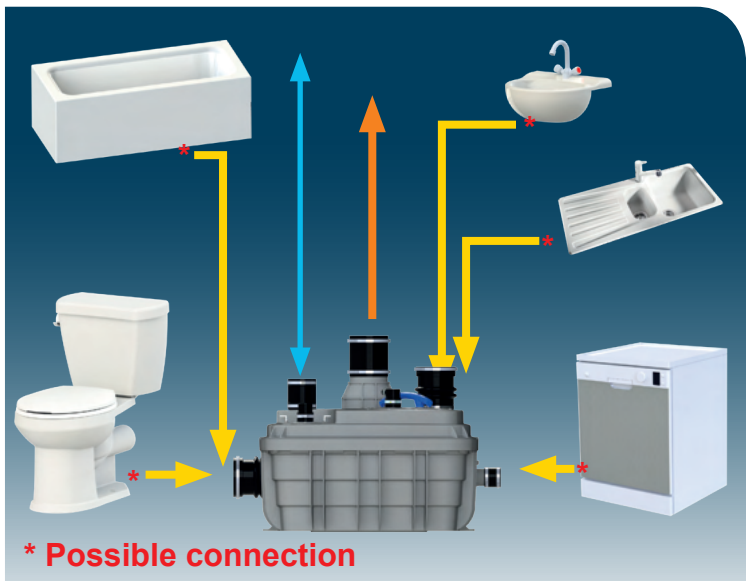
TR KURULUM KILAVUZU

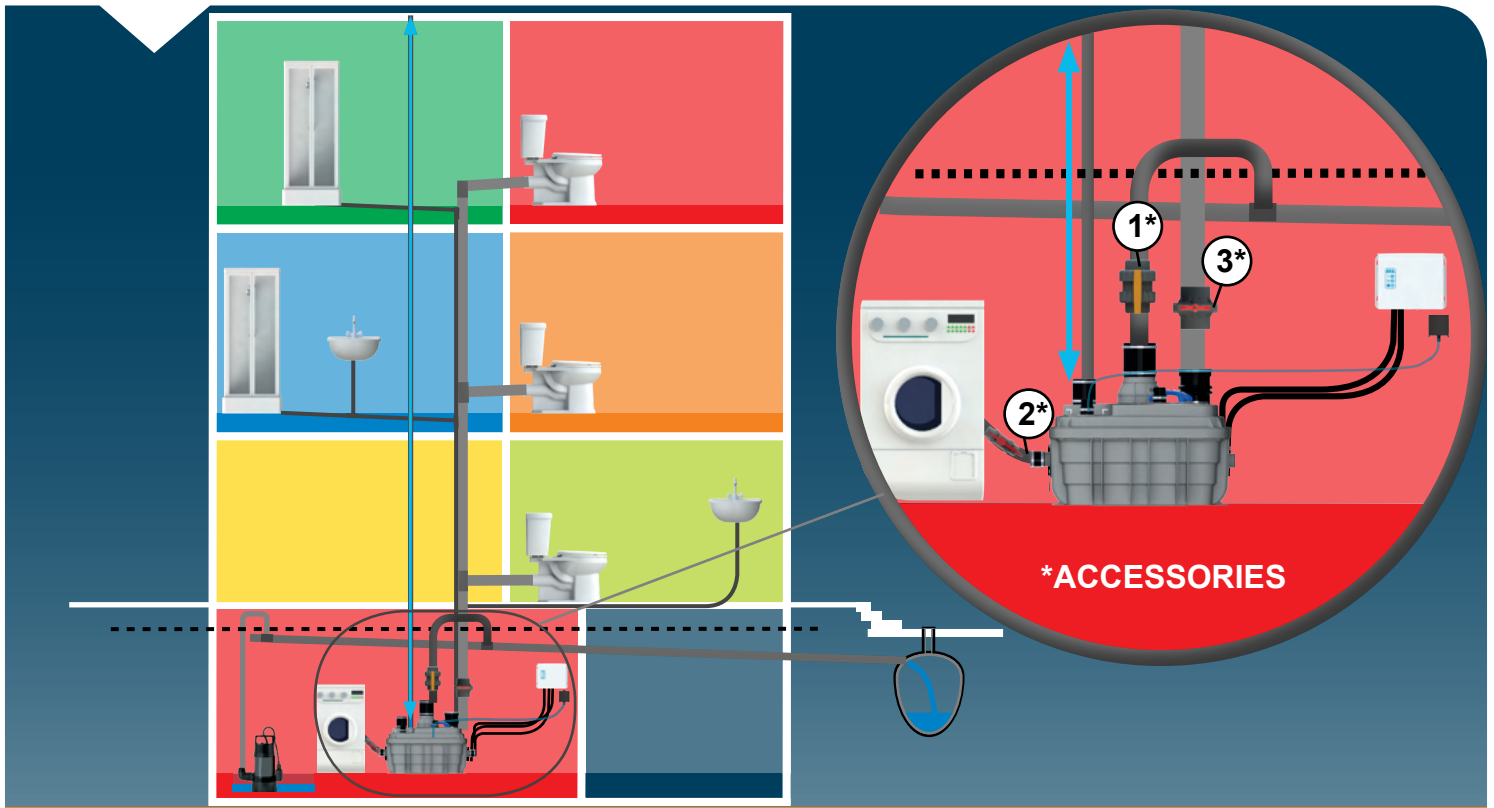
EL ΟΔΗΓΙΕΣ ΕΓΚΑΤΑΣΤΑΣΗΣ

CN 指南以备用

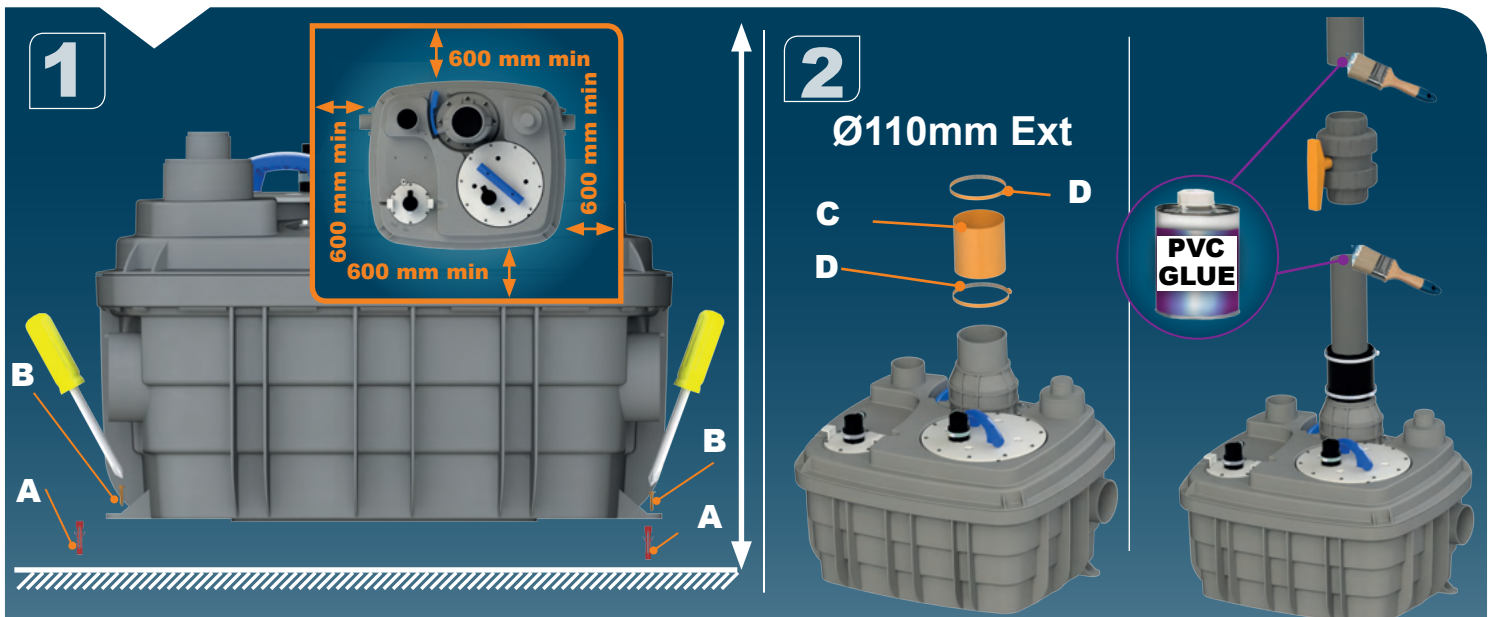
KR 설치내용서

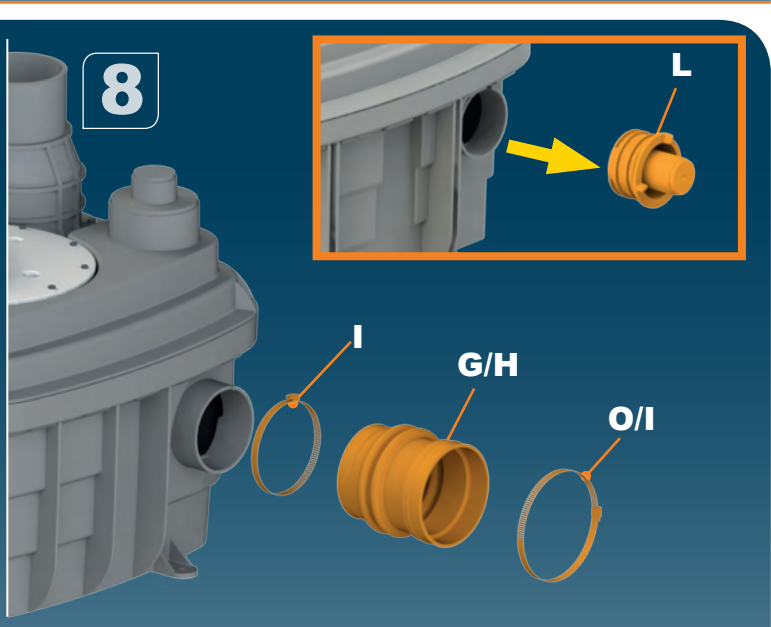
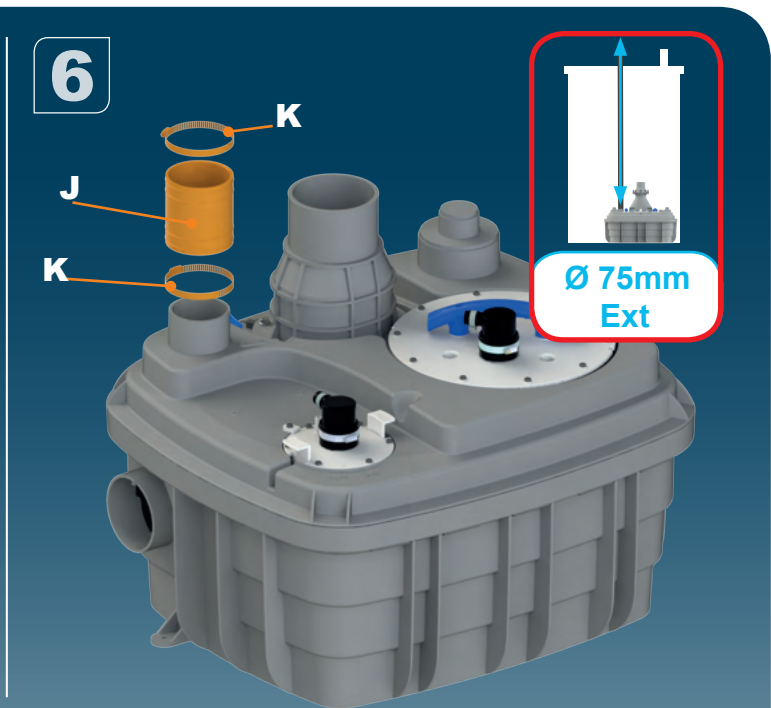
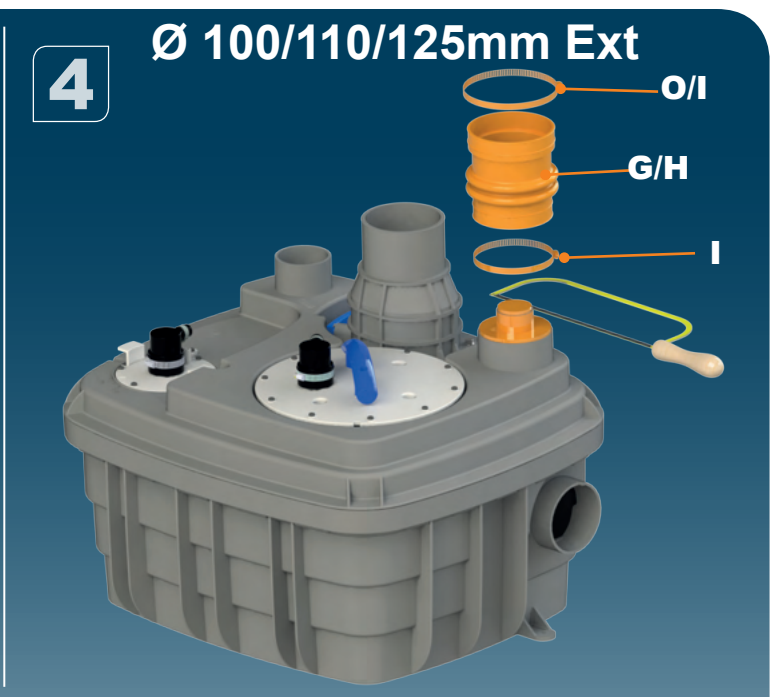
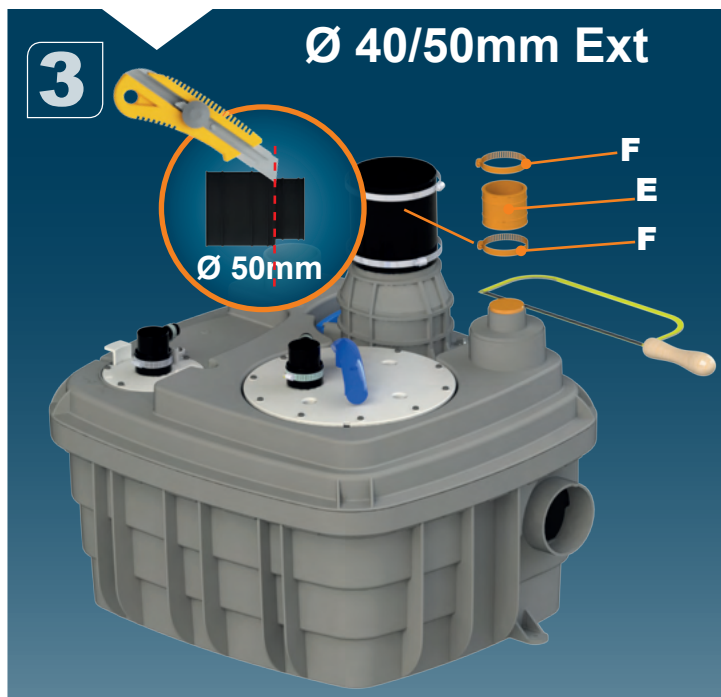
CE



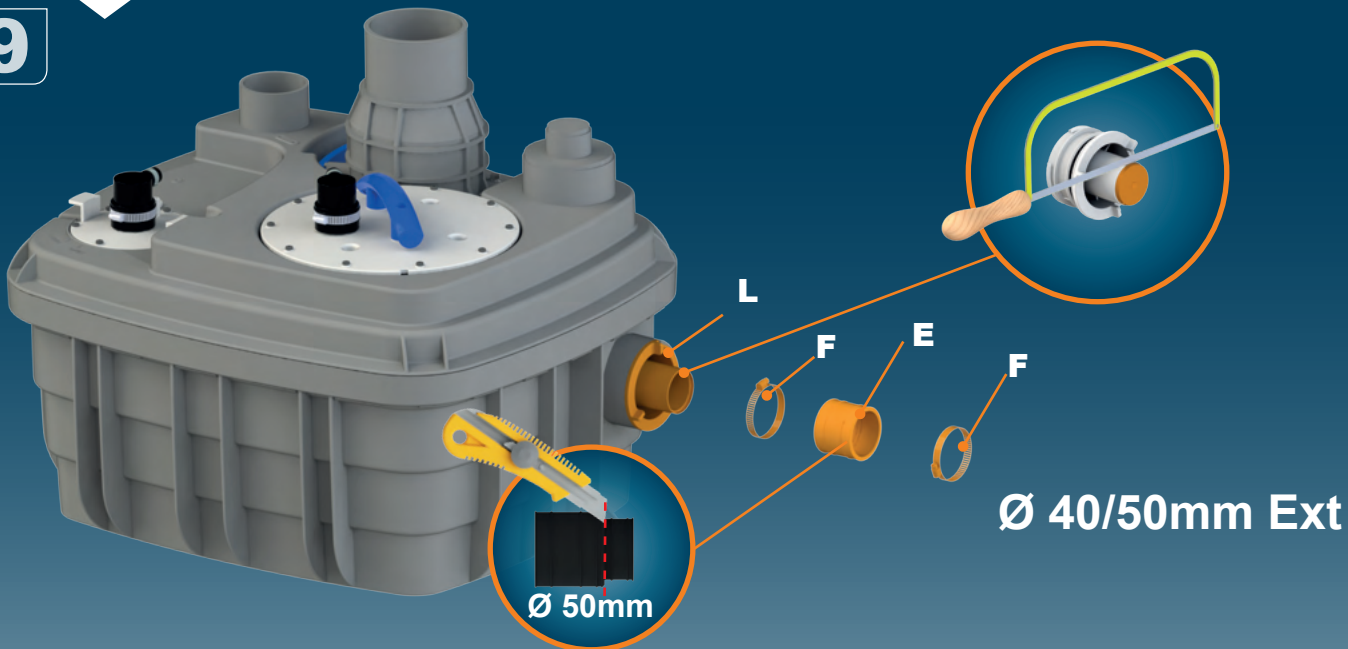


 A x2	 B x2	 C x1 Ø110mm	 D x2 118x126mm	 E x4 Ø40/50mm	 F x8 40x60
 G x1 Ø100/110/125mm	 H x2 Ø100/110	 I x4 100/120	 J x1 Ø75mm	 K x2 80x100	 L x2
 M x1	 N x1	 O x1 120/140			

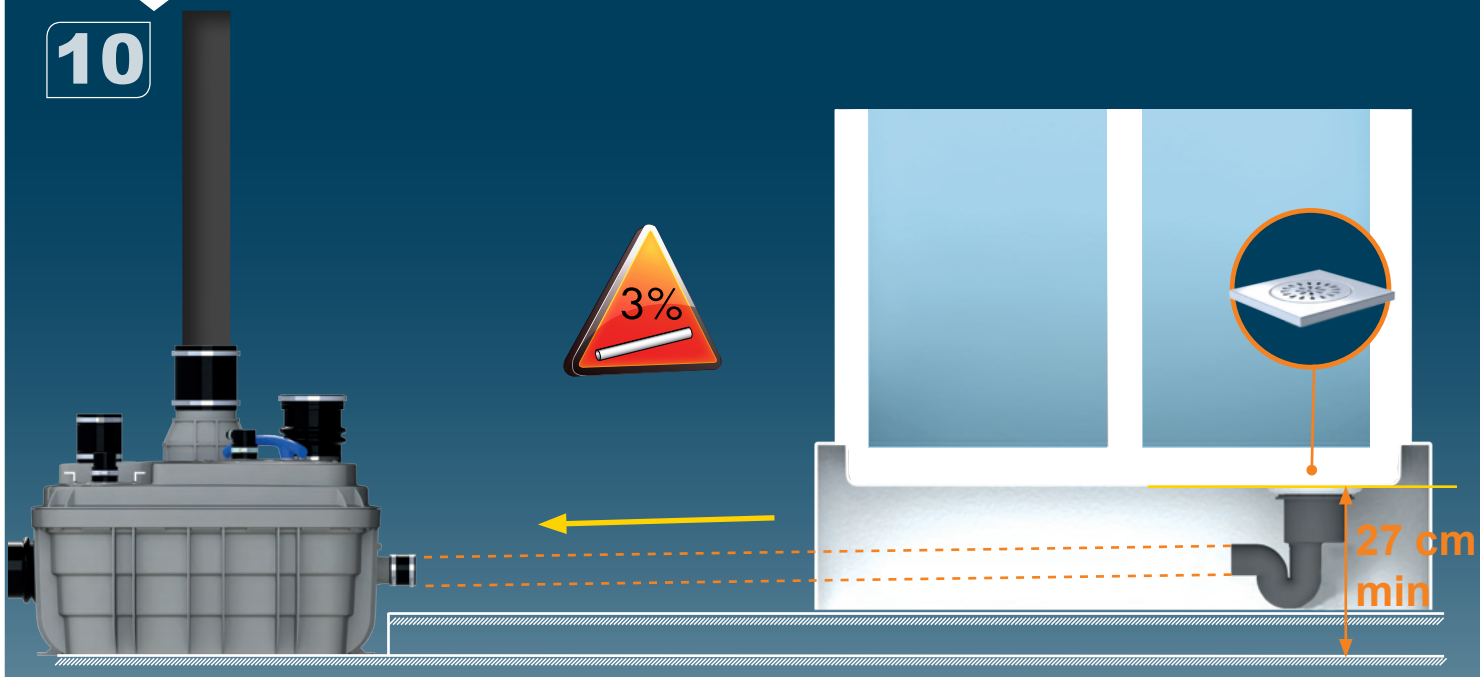




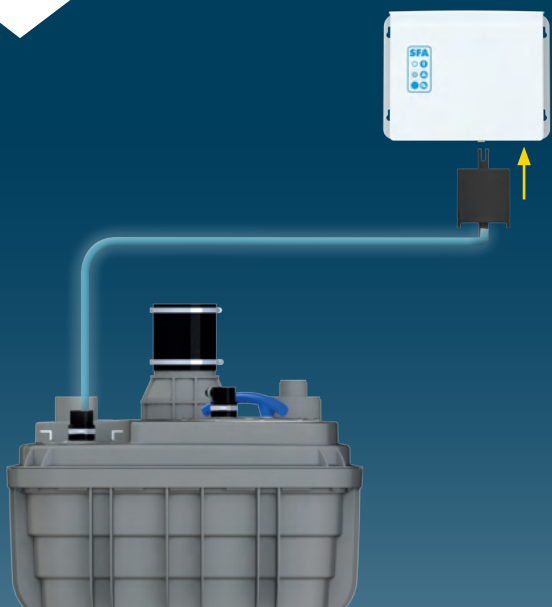
9



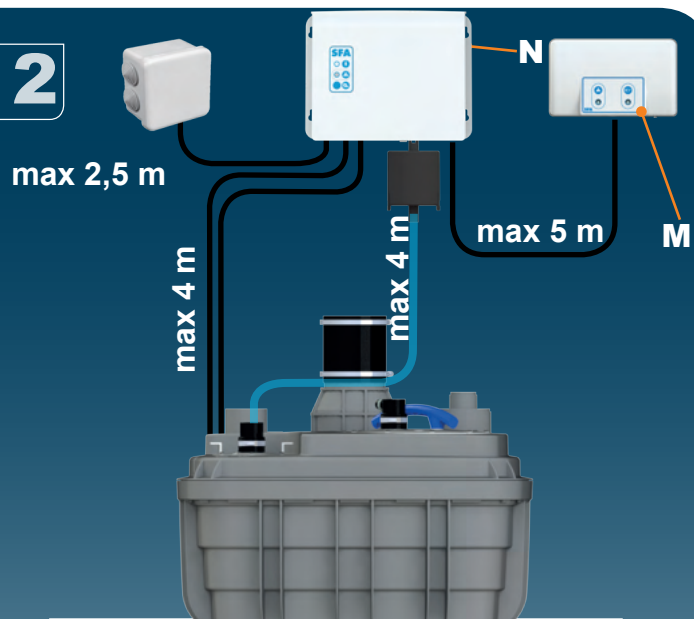
10

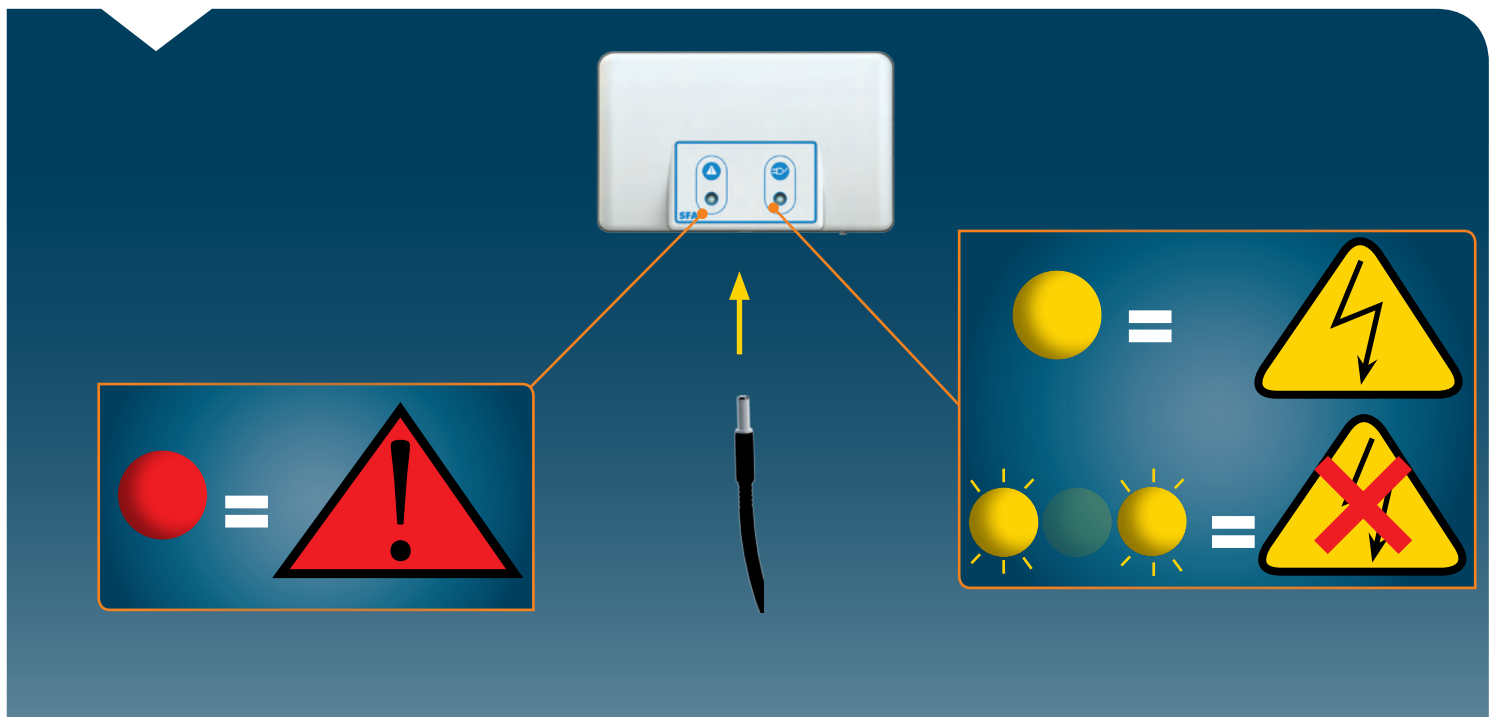
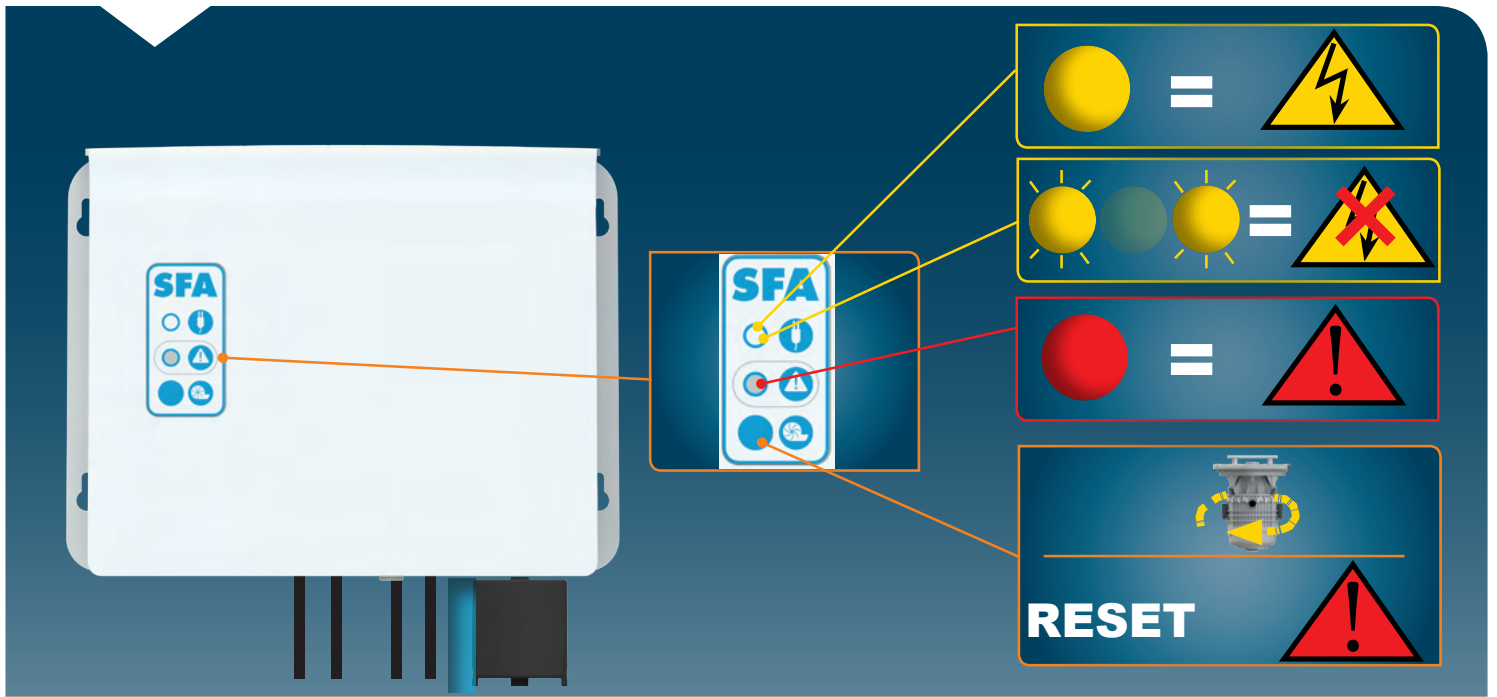


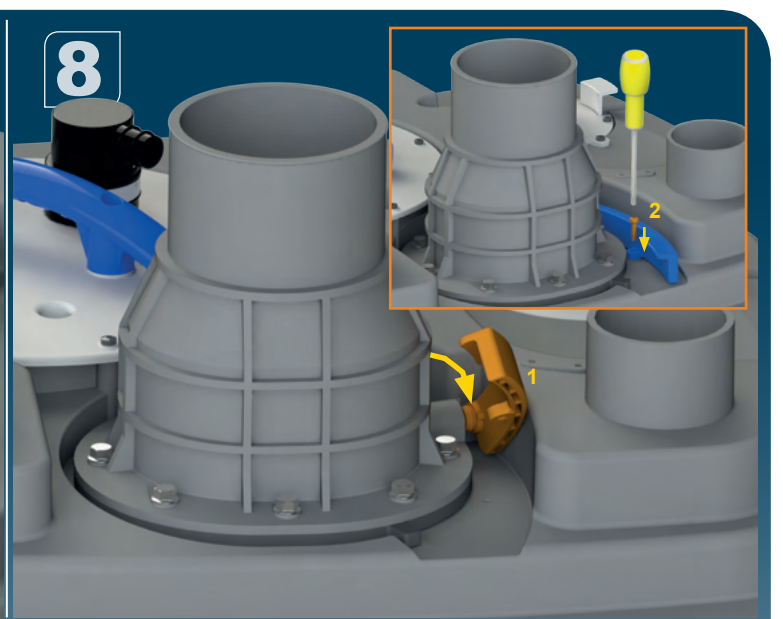
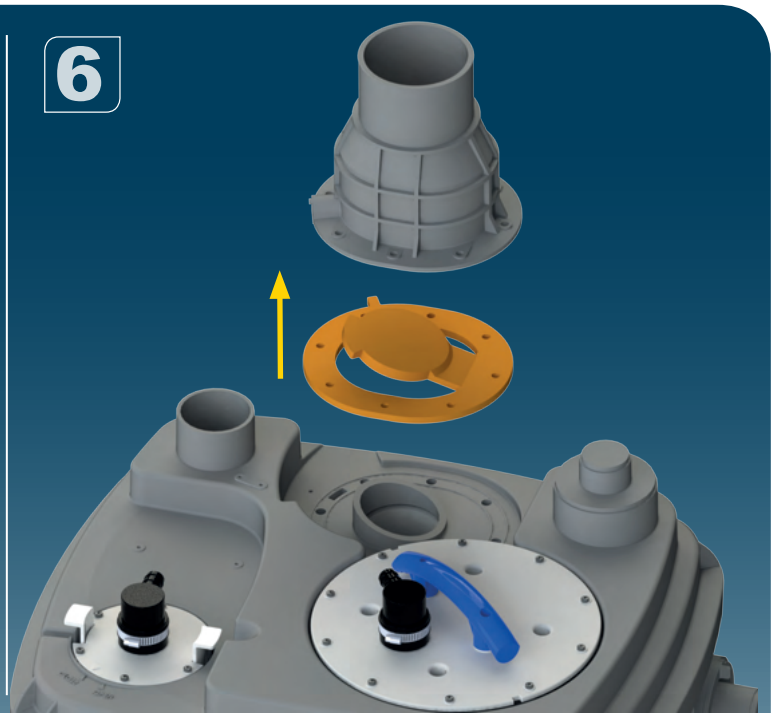
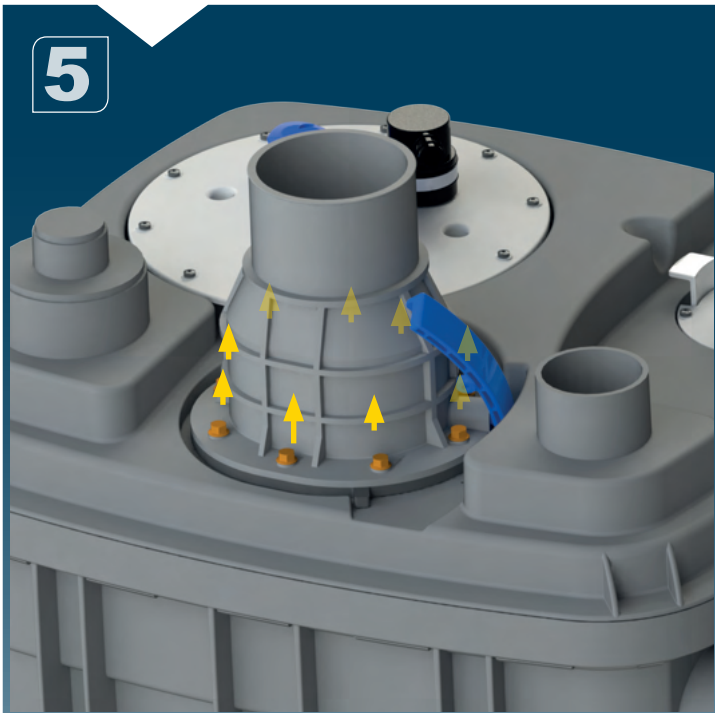
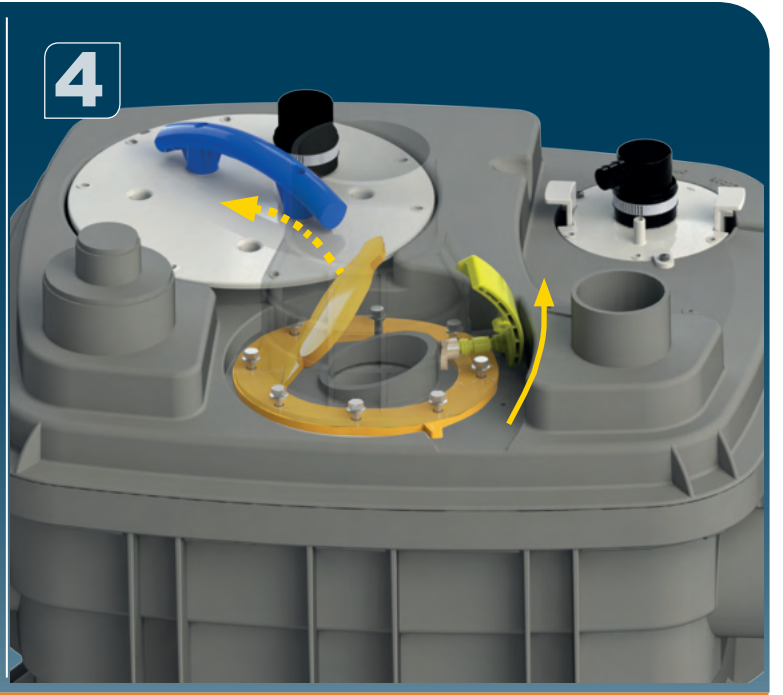
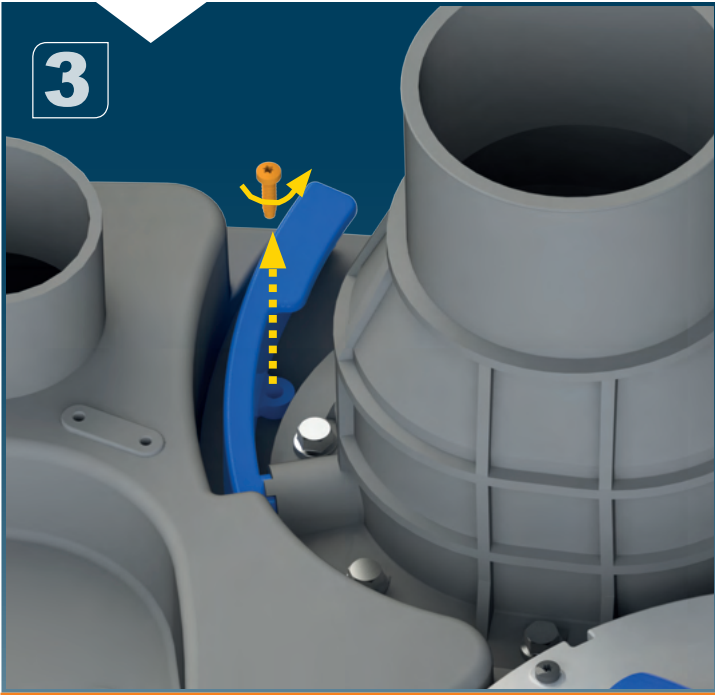
11

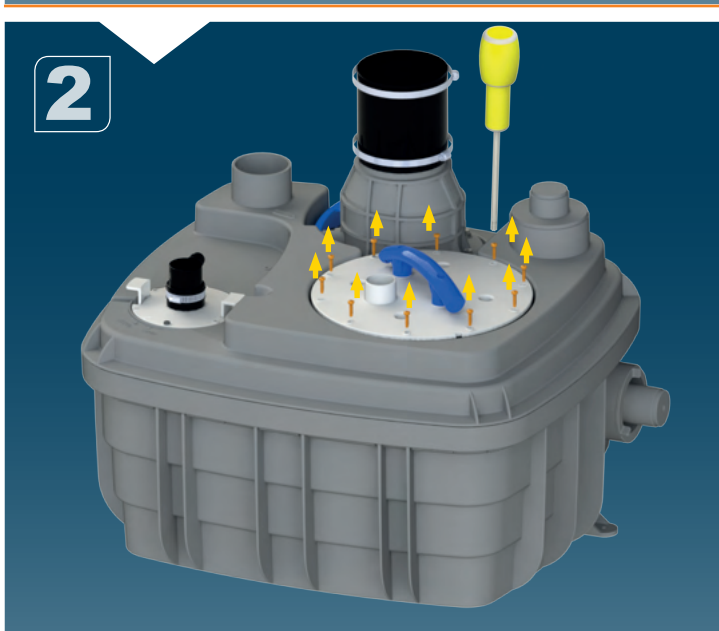
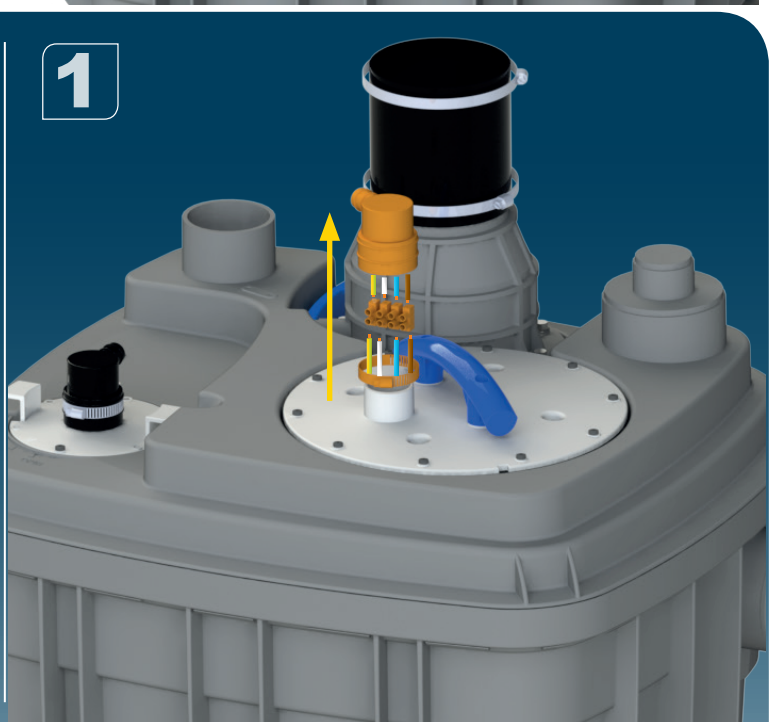
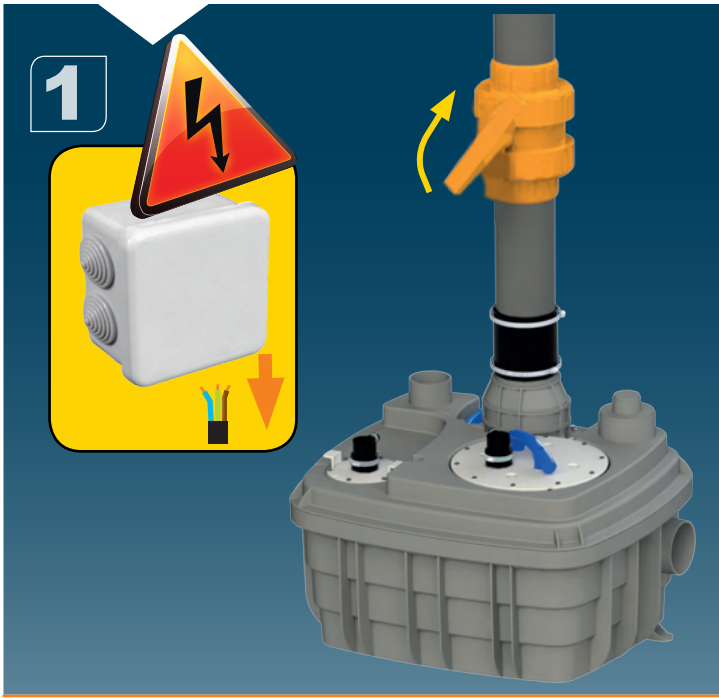


12







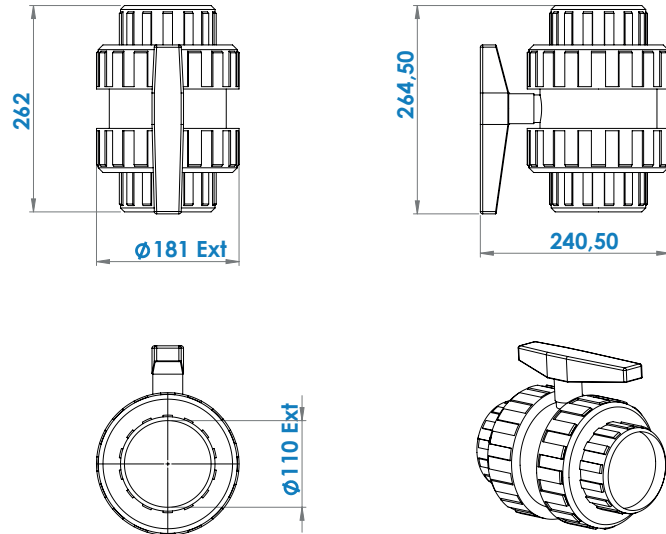


ACCESSORIES OPTION

1



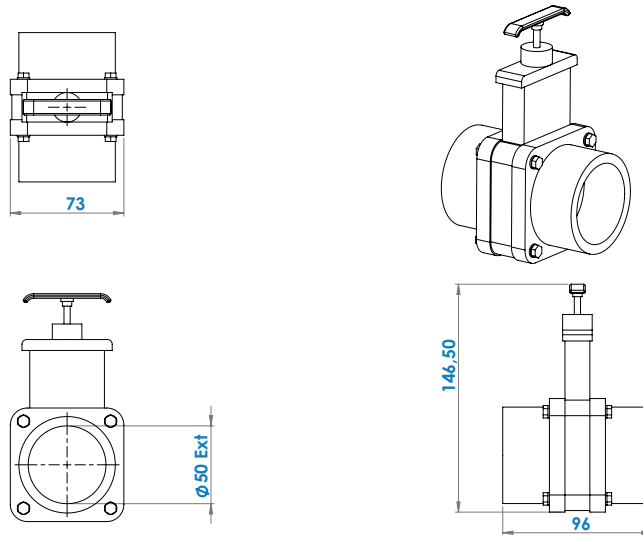
Ø110mm Ext
For discharge pipe



2



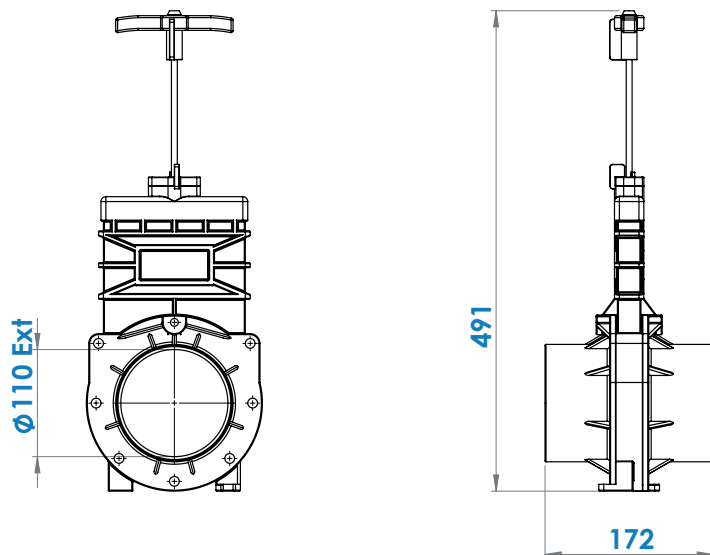
Ø50mm Ext
For inlet pipe

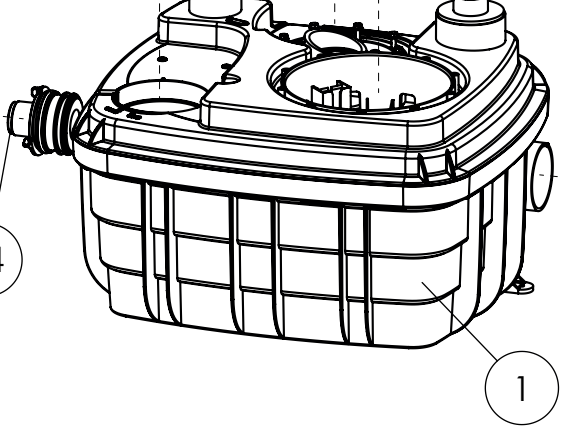
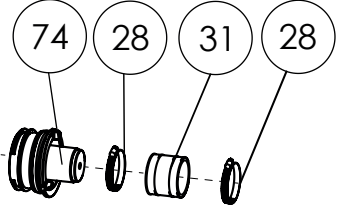
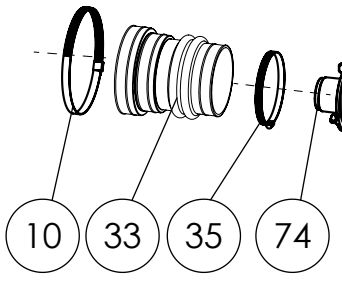
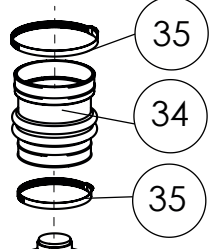
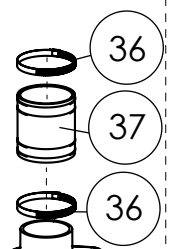
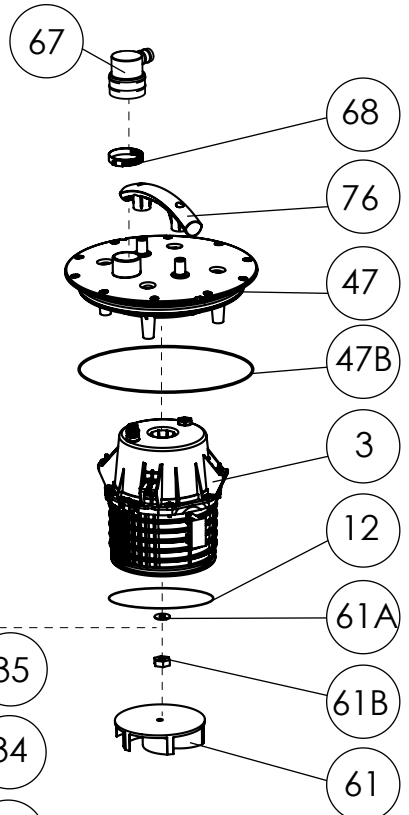
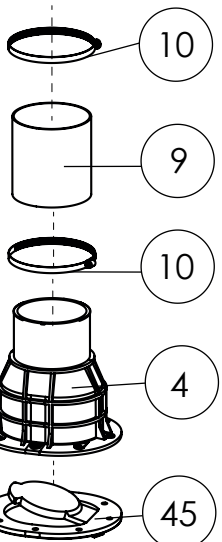
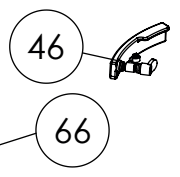
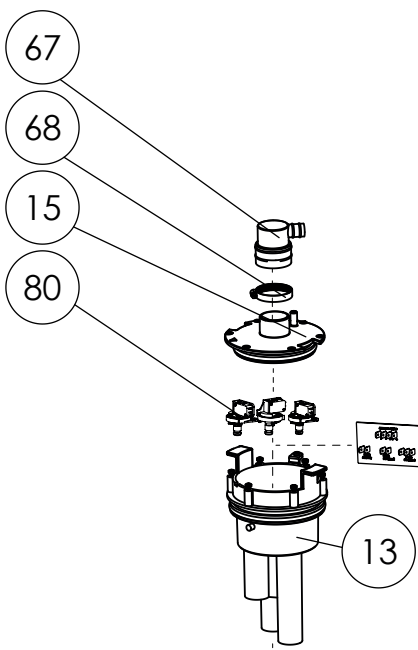
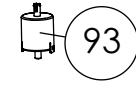
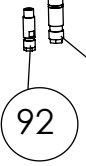
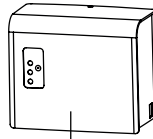
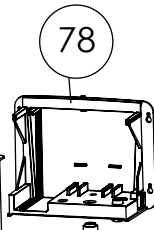
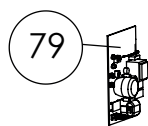
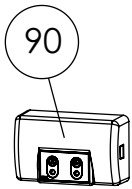


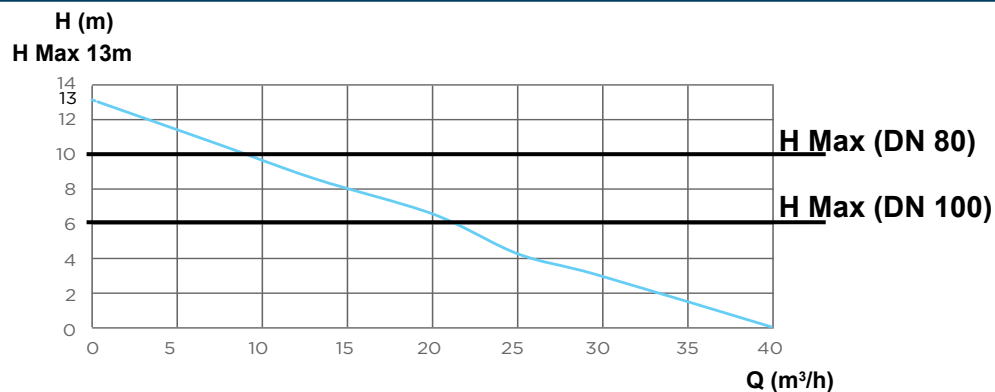
3



**Ø 100mm
or 110mm Ext.**
For inlet pipe

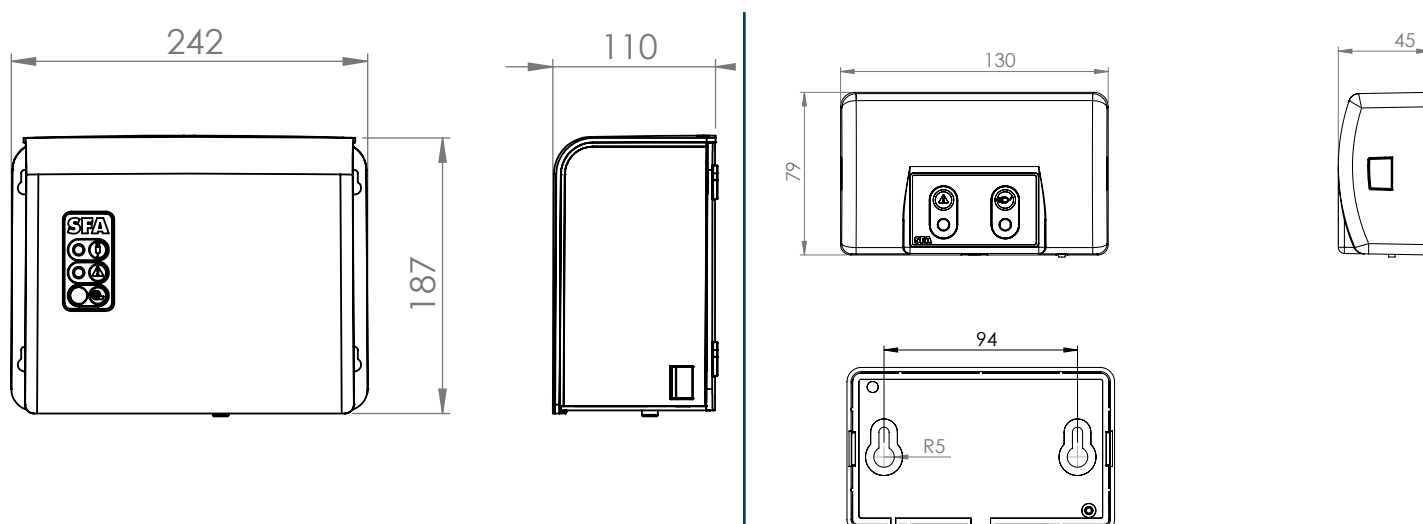


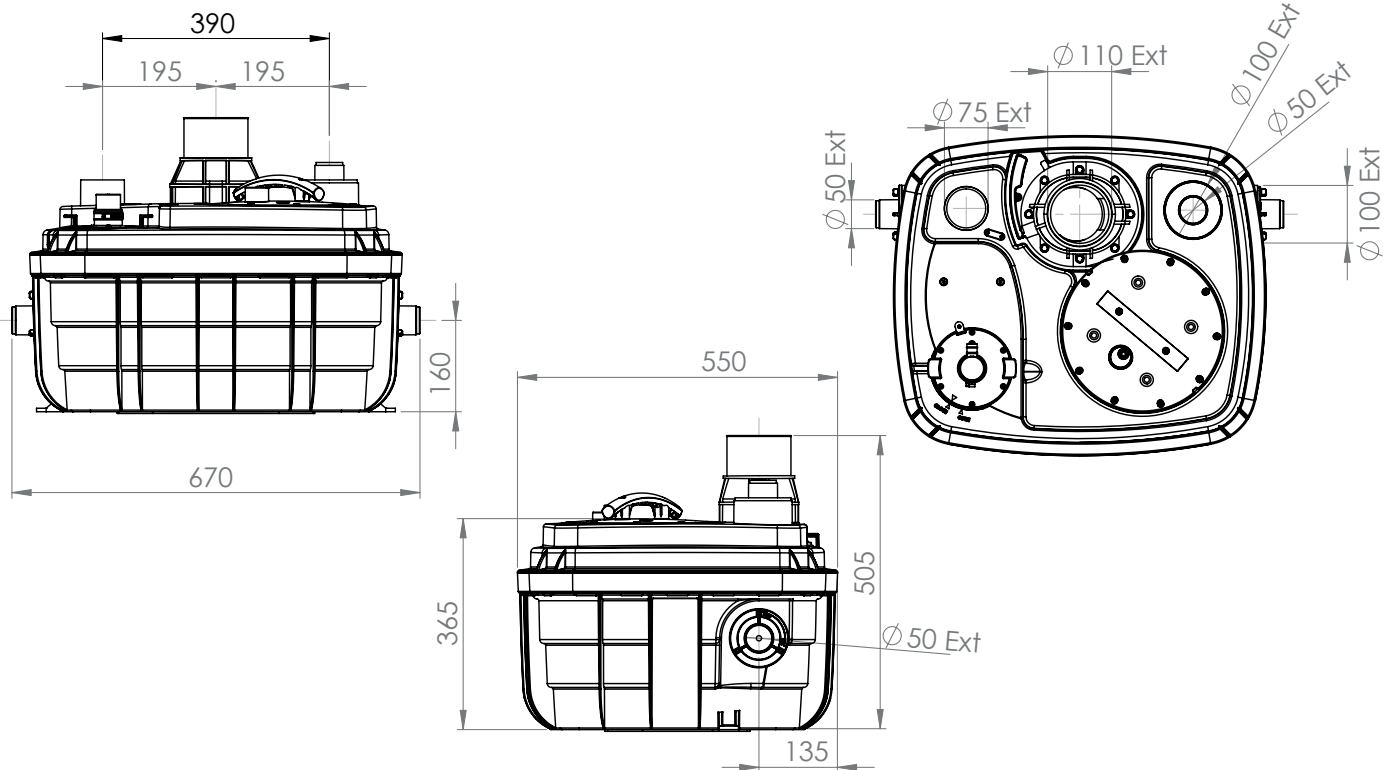




SANICUBIC 1 VX EN 12050-1

Data specifications	
Type of current	1 phase
Voltage	220-240V
Frequency	50-60 Hz
Motor rating	2 kW
Current	8 A
Cable (4m) sensor - control box	H07RN-F 3X1,5
Cable (4m) engine - control box	H07RN-F 4G1,5
Cable (2,5m) Power supply cable	H07RN-F 3G1,5
Protection code	Station: IP68, control box: IPX4
Max. discharge height (Q=0m ³ /h)	13 m
Max. flow rate	40 m ³ /h
Max temperature	35°C (70°C , 5 min)
Free passage	50 mm
Tank volume	60 L
Useful volume	21 L
ON / OFF level activation	165 mm /65 mm
ON alarm activation	235 mm
Weight including accessories	30 kg
Discharge	Øext 110 mm
Inlet	Øext 125,110,100,50,40 mm
Ventilation	Øext 75 mm





FRANCE

SOCIÉTÉ FRANÇAISE D'ASSAINISSEMENT
41 bis avenue Bosquet - 75007 Paris
Tél. +33 1 44 82 39 00
Fax +33 1 44 82 39 01

UNITED KINGDOM

SANIFLO Ltd.,
Howard House, The Runway
South Ruislip Middx.,
HA4 6 SE
Tel. +44 208 842 0033
Fax +44 208 842 1671

IRELAND

SANIRISH Ltd
IDA Industrial Estate
Edenderry - County Offaly
Tel. + 353 46 9733 102
Fax + 353 46 97 33 093

AUSTRALIA

SANIFLO (Australasia) Pty Ltd
Unit 9/10, 25 Gibbes Street
Chatswood NSW 2067
Tel. +61 298 826 200
Fax +61 298 826 950

DEUTSCHLAND

SFA SANIBROY GmbH
Waldstr. 23 Geb. B5 - 63128
Dietzenbach
Tel. (060 74) 30928-0
Fax (060 74) 30928-90

ITALIA

SFA ITALIA spa
Via del Benessere, 9
27010 Sizzano (PV)
Tel. 03 82 61 81
Fax 03 82 61 8200

ESPAÑA

SFA S.L.
C/ Vinyalets,1 - Pl. Can Vinyalets
08130 Sta. - Perpètua de Mogoda - Barcelona
Tel. +34 93 544 60 76
Fax +34 93 462 18 96

PORTUGAL

SFA, Lda.
Sintra Business Park, ed.01-1ºP2710-089 SINTRA
Tel. +35 21 911 27 85
Fax +35 21 957 70 00

РОССИЯ

SFA РОССИЯ
101000 Москва - Колпачный переулок 9а
Тел. (495) 258 29 51
Факс. (495) 258 29 51

SUISSE SCHWEIZ SVIZZERA

SFA SANIBROY AG
Vorstadt 4
3380 Wangen a. A.
Tel. + 41 (0)32 631 04 74
Fax + 41 (0)32 631 04 75

BENELUX

SFA BENELUX B.V.
Industrieweg 1c-d,
6101 WS ECHT
Tel. +31 475 487100
Fax +31 475 486515

SVERIGE

SANIFLO AB
BOX 797
S-191 27 Sollentuna
Tel. +46 (0)8-404 15 30
info@saniflo.se

POLSKA

SFA POLAND Sp. z o.o.
ul. Białolecka 168
03-253 Warszawa
Tel. (+4822) 732 00 32
Fax (+4822) 751 35 16

ČESKÁ REPUBLIKA

SFA-SANIBROY, spol. s r.o.
Sokolovská 445/212, 180 00 Praha 8
Tel. +420 266 712 855
Fax, +420 266 712 856

ROMANIA

SFA SANIFLO S.R.L.
145B Foisorului Street District 3
31177 BUCURESTI
Tel. +40 256 245 092
Fax +40 256 245 029

TÜRKIYE

SFA SANIHYDRO LTD STI
Mecidiye Cad No:36-B Sevencan APT
34394 MECIDIYEKÖY - ISTANBUL
Tel. +90 212 275 30 88
Fax, +90 212 275 90 58

CHINA

SFA 中国
上海市静安区石门二路333弄3号振安
广场恒安大厦27C (200041)
Tel. +86(0)21 6218 8969
Fax. +86(0)21 6218 8970

KOREA

www.SFA.biz
sales@saniflo-korea.kr

South Africa

Saniflo Africa (PTY) Ltd
Unit A6 , Spearhead Business Park
Cnr. Freedom Way & Montague Drive
Montague Gardens, 7441
Tél : +27 (0) 21 286 00 28
www.saniflo.co.za

BRAZIL

SFA Brasil Equipamentos Sanitários,
Rua Maria Figueiredo 595
CEP 04002-003 SAO PAULO / SP
Tel. (11) 3052-2292
santrit@santrit.com.br

NEW ZEALAND

Saniflo New Zealand Ltd
PO Box 383 Royal Oak,
Auckland 1345
Tel : 09 390 4615
Fax : +61 2 9882 6950

SERVICE HELPLINES

	TEL	FAX		
France	01 44 82 25 55	03 44 94 46 19	Benelux	+31 475 487100
United Kingdom	08457 650011 (Call from a land line)	020 8842 1671	Sverige	+46 (0)8-404 15 30
Ireland	1850 23 24 25 (LOW CALL)	+ 353 46 97 33093	Norge	+46 (0)8-404 15 30
Australia	+1300 554 779	+61.2.9882.6950	Polska	(+4822) 732 00 33
Deutschland	0800 82 27 82 0	(060 74) 30928-90	РОССИЯ	(495) 258 29 51
Italia	0382 6181	+39 0382 618200	Česká Republika	+420 266 712 855
España	+34 93 544 60 76	+34 93 462 18 96	România	+40 256 245 092
Portugal	+35 21 911 27 85	+35 21 957 70 00	Türkiye	+90 212 275 30 88
Suisse Schweiz Svizzera	+41 (0)32 631 04 74	+41 (0)32 631 04 75	中国	+86(0)21 6218 8969
			Brazil	(11) 3052-2292

Service information : www.sfa.biz